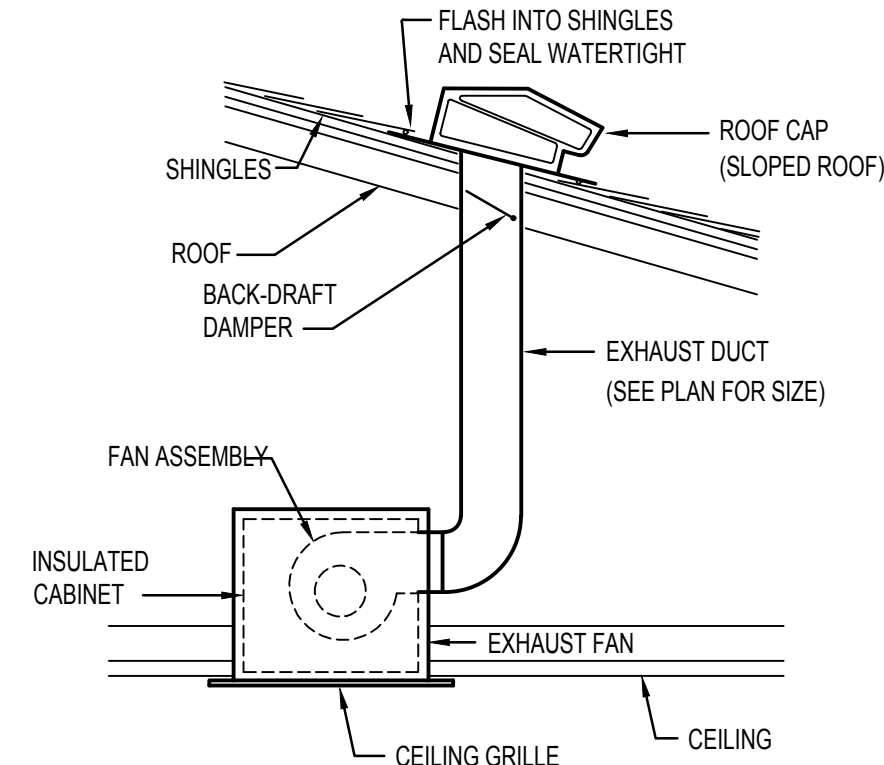
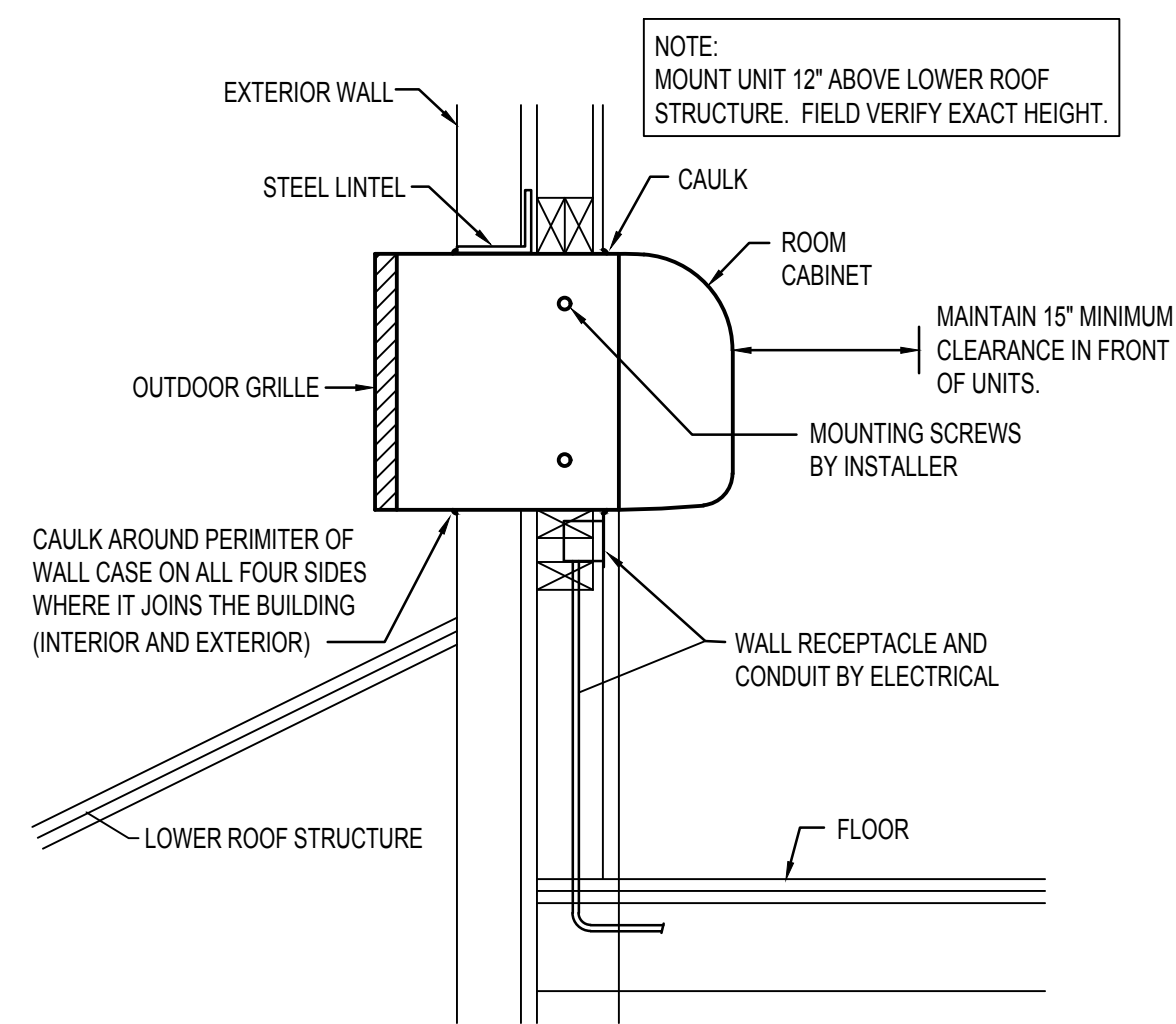


INLINE EXHAUST FAN DETAIL
NO SCALE



CEILING MOUNTED EXHAUST FAN DETAIL
NO SCALE



THRU-THE-WALL HEAT PUMP UNIT DETAIL
NO SCALE

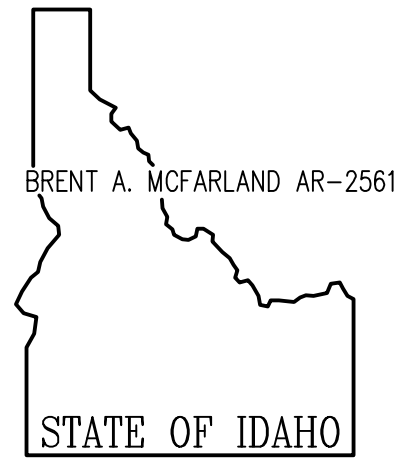
EXHAUST FAN SCHEDULE									
SYM.	TYPE	C.F.M.	S.P.E.	WATTS	CHAR.	R.P.M.	CONTROL	REMARKS	
EF-1	CEILING MOUNTED	225	25"	166	120/60/1	740	OCC. SENSOR SEE ELEC.	TWIN CITY MODEL T250 WITH 8" Dia. DUCT TO SLOPED ROOF CAP ON SHINGLED ROOF	
EF-2	IN-LINE	150	25"	100	120/60/1	640	WALL SWITCH	TWIN CITY MODEL T150L WITH 6x6" DUCT TO WALL MOUNTED EXHAUST LOUVER EL-1	
EF-3	CEILING MOUNTED	200	25"	127	120/60/1	740	WALL SWITCH	TWIN CITY MODEL T200 WITH 8" Dia. DUCT TO SLOPED ROOF CAP ON SHINGLED ROOF	
EF-4	CEILING MOUNTED	225	25"	166	120/60/1	740	OCC. SENSOR SEE ELEC.	TWIN CITY MODEL T250 WITH 8" Dia. DUCT TO SLOPED ROOF CAP ON SHINGLED ROOF	

GRILLE AND REGISTER SCHEDULE									
SYM.	TYPE	SIZE	CFM RANGE	THROW PATTERN	CONSTR.	FINISH	BALANCING DAMPER	FIRE DAMPER	REMARKS
EL-1	EXHAUST LOUVER	12x12	150	NA	ALUM.	MATCH BLDG.	NA	NA	AMERICAN WARMING LE-31 WITH INSECT SCREEN
EG-1	EXHAUST GRILLE	6x6	150	NA	STEEL	WHITE	NA	NA	PRICE MODEL 535
RC-1	ROOF CAP	8"	200-250	NA	ALUM	BLACK	NA	NA	PRICE MODEL 634P SLOPED ROOF CAP
TG-1	TRANSFER GRILLE	12x10	200-350	NA	STEEL	WHITE	NA	NA	PRICE MODEL 535 MOUNTED ABOVE DOOR HEADER

ELECTRIC HEATER SCHEDULE						
SYM.	TYPE	BTU	KW	CHAR	CONTROL	REMARKS
EH-1	CEILING MOUNTED	10,239	3.0	208/60/1	T-STAT	QMARK MODEL CDF548 SURFACE MOUNTED CEILING HEATER WITH T-STAT RETURN AIR PORTION OF UNIT.
EH-2	WALL MOUNTED	5,122	1.5	120/60/1	INTEGRAL	QMARK MODEL GFR1500T2 RECESSED MOUNTED WALL HEATER WITH INTEGRAL T-STAT.
EH-3	WALL MOUNTED	5,122	1.5	120/60/1	INTEGRAL	QMARK MODEL GFR1500T2 RECESSED MOUNTED WALL HEATER WITH INTEGRAL T-STAT.
EH-4	CEILING MOUNTED	6,826	2.0	208/60/1	T-STAT	QMARK MODEL CDF548 SURFACE MOUNTED CEILING HEATER WITH T-STAT MOUNTED INSIDE UNIT RETURN AIR PORTION OF UNIT.
EH-5	CEILING MOUNTED	6,826	2.0	208/60/1	T-STAT	QMARK MODEL CDF548 SURFACE MOUNTED CEILING HEATER WITH T-STAT MOUNTED INSIDE UNIT RETURN AIR PORTION OF UNIT.

HEAT PUMP UNIT SCHEDULE									
SYM.	CFM	CHAR	AMPS	COP	HEATING		COOLING		REMARKS
					BTU	KW	BTU	EER	
HP-1	340/306	208-10	6.7	3.6	11,945	3.5	14,500	13.0	TRANE MODEL PTHF1501GAA WITH 3.5 KW ELECTRIC COIL, WALL SLEEVE & OUTDOOR GRILLE
HP-2	340/306	208-10	6.7	3.6	11,945	3.5	14,500	13.0	TRANE MODEL PTHF1501GAA WITH 3.5 KW ELECTRIC COIL, WALL SLEEVE & OUTDOOR GRILLE

MECHANICAL LEGEND	
SYMBOL	DESCRIPTION
EA	EXHAUST AIR
Ⓢ	REMOTE THERMOSTAT
□	CEILING MOUNTED EXHAUST FAN
①	PLAN NOTE
EH-1	EQUIPMENT SYMBOL



CONSULTANTS:
 MECHANICAL ENGINEERING
 ENGINEERED SYSTEMS ASSO.
 1355 East Center - 83201
 Pocatello, Idaho (208) 233-0501
 Fax (801) 233-0529
 ELECTRICAL ENGINEERING
 PAYNE ENGINEERING INC.
 1823 E. Center St.
 Pocatello, Idaho - 83201
 (208) 232-4439
 Fax (208) 232-1435

PROJECT: MADISON BASEBALL BOOTH
 DRAWING TITLE: MECHANICAL DETAILS & SCHEDULES

#	DATE	COMMENT

DRAWN BY: TP JOB NO: -
 CHECKED BY: DCS DATE: 09/16/2022
 PLOT DATE: 09-16-22

Professional Engineer
 LICENSED
 Brent A. McFarland
 STATE OF IDAHO
 TANNER C. DAVIS
 Sep 16, 2022

Engineered Systems Associates
 1355 EAST CENTER
 POCATELLO, IDAHO 83201
 PHONE: (208) 233-0501
 EMAIL: eso@engsystems.com
 ESA JOB NUMBER: 221.37

DRAWING NO. M201
 FILE: 22137 Madison Baseball Booth M201.dwg
 OF 4